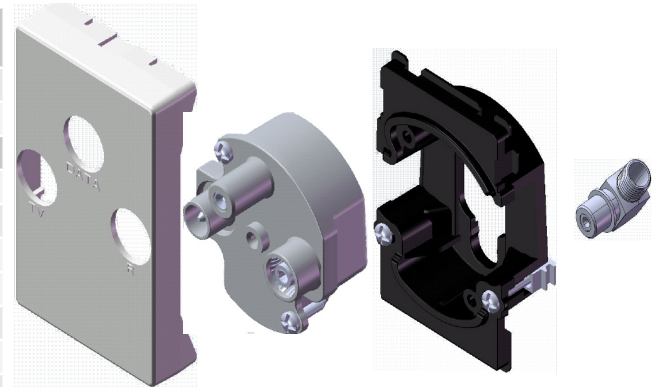




Product information

DKT presents the only DOCSIS 3.1 capable Service Termination Point ready for installation in DOCSIS 3.0 networks. Freja Push-in-Outlet is the ideal coax service termination point to ensure fast migration from DOCSIS 3.0 to 3.1, by means of Do-It-Yourself (DIY) upgrade kits. Once the initial Service Termination Point installation is completed by professional installers, future outlet frequency upgrades, required for increased DOCSIS bandwidth, can be done by exchanging the Push-In-Filter supplied in a DIY kit. This kit has to contain a Push-in-Filter and a new face plate. With the current DOCSIS 3.0 return path frequency range of 5-65MHz, the initial installation of Freja PIO 1-4 65 as the Service Termination Point, is the best choice to ensure immediate access to 1300MHz (DOCSIS 3.1), and at the same time serve as platform for future DIY upgrades of the Push-In-Filter. In Push-In-Outlet installations the incoming cable is fitted with a suitable F-connector at once, and the Diplex filter can be exchanged over and over again, without damaging or cutting the incoming cable.

Type	Freja PIO 1-4 65	
Version	Diplex	
Item no.	52450	
DATA		
Frequency forward	118 - 1218 MHz	
Frequency reverse	5 - 65 MHz	
Insertion loss forward	118-1006MHz	4.0 (± 0.8) dB
	1006-1218MHz	4.0 (± 1) dB
Insertion loss reverse	0.6 (± 0.6) dB	
Return loss	IEC 60728-4 §5.3.4.2	
Isolation to DATA-TV	5-65MHz	> 40 dB
	118-862	> 18 dB
Isolation to DATA-FM	Return	> 40 dB
	Forward	> 20 dB
Connector	F-Female EN 61169-24	
TV		
Frequency range	118 - 1218 MHz	
Insertion loss 118-125MHz	5.0 (± 1,5) dB	
Insertion loss 125-862MHz	4.0 (± 0.8) dB	
Insertion loss 862-1218MHz	5.2 (± 2) dB	
Return loss	IEC 60728-4 §5.3.4.2	
Isolation IN-TV	> 35 dB (5-65 MHz)	
Connector	IEC-Male EN61169-2	
FM		
Frequency range	87.5 - 108 MHz	
Insertion loss	5 (± 1.5) dB	
Return loss (87.5-108 MHz)	> 10 dB	
Connector	IEC-Female EN61169-2	
Common		
Input return loss TV (5-1300 MHz)	IEC 60728-4 §5.3.4.2	
Input connector	Push-on IEC-Female EN61169-24	
Screening effectiveness	5 - 30 MHz	> 90 dB
	30 - 300 MHz	> 85 dB
	300 - 470 MHz	> 80 dB
	470 - 1006 MHz	> 75 dB
Operating temperature	0 °C - 55 °C	
Dimensions ()	TBD mm	
Metal Housing	RoHS compliant Zink alloy	
Plastics cover	ABS	



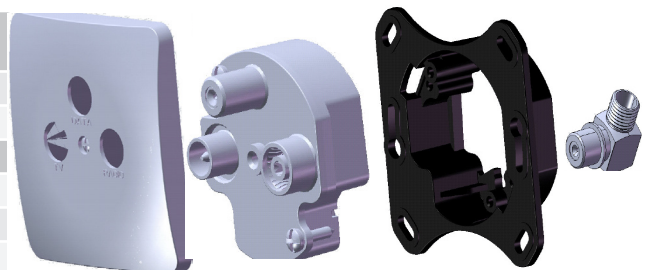
Complete outlet installation kit	Type	Item no.
Freja PIO 1-4 65		
Freja Face Plate - White	FFP-DTR	52431
Push-In-Filter	PIF 1-4 65	52410
Freja Frame including claws	FFr	52430
90 degree Female F	90FF	84040
Freja PIO 1-4 204		
Freja Face Plate - White	FFP-DT	52432
Push-In-Filter	PIF 1-4 204	52412
Freja Frame including claws	FFr	52430
90 degree Female F	90FF	84040
Freja PIO 1-4 65DVU		
Freja Face Plate - White	FFP-DT	52432
Push-In-Filter	PIF 1-4 65DVU	52415*
Freja Frame including claws	FFr	52430
90 degree Female F	90FF	84040



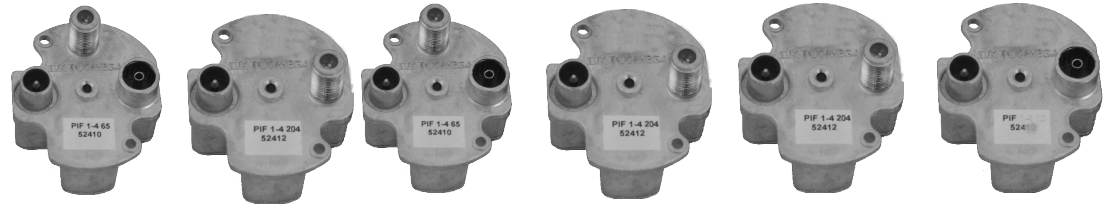
Product information

DKT presents the only DOCSIS 3.1 capable Service Termination Point ready for installation in DOCSIS 3.0 networks. Euro form factor style Push-in-Outlet is the ideal coax service termination point to ensure fast migration from DOCSIS 3.0 to 3.1 by means of Do-It-Yourself (DIY) upgrade kits. Once the initial Service Termination Point installation is completed by professional installers, future outlet frequency upgrades, required for increased DOCSIS bandwidth, can be done by exchanging the Push-In-Filter supplied in a DIY kit. This kit has to contain a Push-in-Filter and a new face plate. With the current DOCSIS 3.0 return path frequency range of 5-65MHz, the initial installation of Euro PIO 1-4 65 as the Service Termination Point, is the best choice to ensure immediate access to 1300MHz (DOCSIS 3.1), and at the same time serve as platform for future DIY upgrades of the Push-In-Filter. In Push-In-Outlet installations the incoming cable is fitted with a suitable F-connector at once, and the Diplex filter can be exchanged over and over again, without damaging or cutting the incoming cable.

Type	Euro PIO 1-4 65	
Version	Diplex	
Item no.	52455	
DATA		
Frequency forward	118 - 1218 MHz	
Frequency reverse	5 - 65 MHz	
Insertion loss forward	118-1006MHz	4.0 (± 0.8) dB
	1006-1218MHz	4.0 (± 1) dB
Insertion loss reverse	0.6 (± 0.6) dB	
Return loss	IEC 60728-4 §5.3.4.2	
Isolation to DATA-TV	5-65MHz	> 40 dB
	118-862	> 18 dB
Isolation to DATA-FM	Return	> 40 dB
	Forward	> 20 dB
Connector	F-Female EN 61169-24	
TV		
Frequency range	118 - 1218 MHz	
Insertion loss 118-125MHz	5.0 (± 1,5) dB	
Insertion loss 125-862MHz	4.0 (± 0.8) dB	
Insertion loss 862-1218MHz	5.2 (± 2) dB	
Return loss	IEC 60728-4 §5.3.4.2	
Isolation IN-TV	> 35 dB (5-65 MHz)	
Connector	IEC-Male EN61169-2	
FM		
Frequency range	87.5 - 108 MHz	
Insertion loss	5 (± 1.5) dB	
Return loss (87.5-108 MHz)	> 10 dB	
Connector	IEC-Female EN61169-2	
Common		
Input return loss TV (5-1218 MHz)	IEC 60728-4 §5.3.4.2	
Input connector	Push-on IEC-Female EN61169-24	
Screening effectiveness	5 - 30 MHz	> 90 dB
	30 - 300 MHz	> 85 dB
	300 - 470 MHz	> 80 dB
	470 - 1006 MHz	> 75 dB
Operating temperature	0 °C - 55 °C	
Dimensions ()	TBD mm	
Metal Housing	RoHS compliant Zink alloy	
Plastics cover	ABS	



Complete outlet installation kit	Type	Item no.
Euro PIO 1-4 65		
Euro Face Plate - White	EFP-DTR	52441
Push-In-Filter	PIF 1-4 65	52410
Euro Frame	EFr	52440
90 degree Female F	90FF	84040
Euro PIO 1-4 204		
Euro Face Plate - White	EFP-DT	52442
Push-In-Filter	PIF 1-4 204	52412
Euro Frame	EFr	52440
90 degree Female F	90FF	84040
Euro PIO 1-4 65DVU		
Euro Face Plate - White	EFP-DT	52442
Push-In-Filter	PIF 1-4 65DVU	52415*
Euro Frame	EFr	52440
90 degree Female F	90FF	84040



Type	PIF 1-4 65	PIF 1-4 65DVU	PIF 1-4 204FM	PIF 1-4 85	PIF 1-4 204	PIF RTV
Version	Diplex	Diplex	Diplex	Diplex	Diplex	
Item no.	52410	52415*	52414*	52411*	52412	52413*
DATA						
Frequency forward	118 - 1218 MHz	118 - 1218 MHz	258 - 1218 MHz	118 - 1218 MHz	258 - 1218 MHz	
Frequency reverse	5 - 65 MHz	5 - 65 MHz	5 - 204 MHz	5 - 85 MHz	5 - 204 MHz	-
Insertion loss forward	118-1006MHz	4.0 (± 0.8) dB	4.0 (± 0.8) dB	-	4.0 (± 0.8) dB	-
	258-1006MHz	-	-	4.0 (± 0.8) dB	-	4.0 (± 0.8) dB
	1006-1218MHz	4.0 (± 1) dB	4.0 (± 1) dB	4.0 (± 1) dB	4.0 (± 1) dB	4.0 (± 1) dB
Insertion loss reverse	0.6 (± 0.6) dB	0.6 (± 0.6) dB	0.6 (± 0.6) dB	0.6 (± 0.6) dB	0.6 (± 0.6) dB	-
Return loss	IEC 60728-4 5.3.4.2					-
Isolation to DATA-TV	5-65MHz	> 40 dB	> 40 dB	-	-	-
	5-85MHz	-	-	-	> 40 dB	-
	5-204MHz	-	-	> 40 dB	-	> 40 dB
	118-862MHz	> 18 dB	> 18 dB	-	> 20 dB	-
	258-790MHz	-	-	> 20 dB	-	-
	258-862MHz	-	-	-	-	> 20 dB
	862-1218MHz	-	-	-	-	>15 dB
Isolation to DATA-FM	Return	> 40 dB	-	> 40 dB	-	-
	Forward	> 20 dB	-	> 20 dB	-	-
Connector	F-Female EN 61169-24					-
TV						
Frequency range [MHz]	118 - 862	87.5 - 862	258-790	118 - 862	258 - 862	118 - 862
Insertion loss 87.5-108 MHz	-	5.0 (± 1,5) dB	-	-	-	-
Insertion loss 118-125MHz	5.0 (± 1,5) dB	5.0 (± 1,5) dB				0.8 (± 0.4) dB
Insertion loss 125-862MHz	5.0 (± 1,5) dB	5.0 (± 1,5) dB				0.8 (± 0.4) dB
Insertion loss 118-125MHz				5.0 (± 1) dB		
Insertion loss 125-862MHz				4.0 (± 0.8) dB		
Insertion loss 258-265MHz			5.0 (± 1) dB		5.0 (± 1) dB	
Insertion loss 265-790MHz			4.0 (± 0.8) dB			
Insertion loss 265-862MHz					4.0 (± 0.8) dB	
Insertion loss 862-1218MHz	5.2 (± 2) dB	5.2 (± 2) dB			4.0 (± 1.5) dB	
Return loss ¹	IEC 60728-4 §5.3.4.2					
Isolation IN-TV	5.2 (± 2) dB	5.2 (± 2) dB	> 35 dB (5-205 MHz)	> 35 dB (5-85 MHz)	> 35 dB (5-205 MHz)	-
Connector	IEC-Male EN61169-2		IEC-Male EN61169-2	IEC-Male EN61169-2	IEC-Male EN61169-2	IEC-Male EN61169-2
FM						
Frequency range	87.5 - 108 MHz	-	822-838	-	-	87.5 - 108 MHz
Insertion loss	5 (± 1.5) dB	-	5 (± 1.5) dB	-	-	1 (± 0.4) dB
Return loss	>10 dB(87.5-108 MHz)	-	>10 dB(822-838 MHz)	-	-	>10 dB (87.5-108 MHz)
Connector	IEC-Female EN61169-2	-	TBD	-	-	IEC-Female EN61169-2
Common						
Input return loss TV (5-1218 MHz)	IEC 60728-4 §5.3.4.2					
Input connector	Push-on IEC-Female EN61169-24					
Screening effectiveness	5 - 30 MHz				> 90 dB	
	30 - 300 MHz				> 85 dB	
	300 - 470 MHz				> 80 dB	
	470 - 1006 MHz				> 75 dB	
Operating temperature	0° C - 55° C					
Dimensions ()	Pat. pending TBD mm					
Metal Housing	RoHS compliant Zink alloy					
Plastics cover	ABS					

Item numbers marked with * are special order products with MOQ

push-in-outlet installation tools

Product information

Push-in-outlet installation will often be done in tight confined spaces, to ease installation tools, that also can be used for other applications than Push-In-Outlet installation are available.

The POI Compression Tool PTC has a small head and are suitable for compression of F-56-CX3 7.0QM Short connector as well as other common F-connectors.



Product information

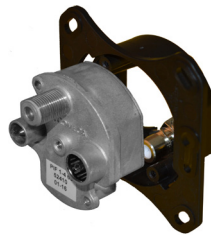
The PIO Cable Stripper PCS-RG6/59 will work in extension of the cable and the head will with ease fit to the tight spaces usually found in coax outlet installation cases.



push-in-outlet parts

Product information

Intended for professional installers all parts can be purchased separately.



Description Push-in-Filters	Euro & Freja Push in filters					
	Type	Item no.	Quantity	Type	Item no.	Quantity
Data 65 MHz+118-1218MHz , TV 118-862MHz, Radio 87.5-108MHz	PIF 1-4 65	52410	10			
Data 85 MHz+118-1218MHz , TV 118-862MHz	PIF 1-4 85	52411*	10			
Data 204 MHz+258-1218MHz , TV 258-862MHz	PIF 1-4 204	52412	10			
Radio 87.5-108MHz, TV 118-862MHz	PIF 1-4 RTV	52413*	10			
Data 204 MHz+258-1218MHz , TV 258-790MHz, Radio 822-838	PIF 1-4 204FM	52414	10			
Data 65 MHz+118-1218MHz , Radio/TV 87,5-862MHz	PIF 1-4 65DVU	52415*	10			
Single Female F-Port 5-1218MHz	PIF HNI	52416*	10			
Description Taps - For loophthrough	Euro & Freja Push in Taps					
	Type	Item no.	Quantity	Type	Item no.	Quantity
8dB Tap for mount on Freja or Euro Frame In and Out cabled with soft flexible cable to Female 90deg F	PIT-8	52461	20			
10dB Tap for mount on Freja or Euro Frame In and Out cabled with soft flexible cable to Female 90deg F	PIT-10	52462	20			
12,5dB Tap for mount on Freja or Euro Frame In and Out cabled with soft flexible cable to Female 90deg F	PIT-12.5	52463	20			
16dB Tap for mount on Freja or Euro Frame In and Out cabled with soft flexible cable to Female 90deg F	PIT-16	52464	20			
18dB Tap for mount on Freja or Euro Frame In and Out cabled with soft flexible cable to Female 90deg F	PIT-18	52465	20			
Description Push-In-Outlet mounting frames	Euro Frames			Freja Frames		
	Type	Item no.	Quantity	Type	Item no.	Quantity
Frame for PIF mounting - Black	EFr	52440	20	FFr	52430	20
Description Push-In-Outlet Face plates	Euro Face plates			Freja Face plates		
	Type	Item no.	Quantity	Type	Item no.	Quantity
Data, TV, Radio - White - Matches PIF 1-4 65, PIF 1-4 204FM	EFP-DTR	52441	20	FFP-DTR	52431	20
Data, TV - White- Matches PIF 1-4 85 , 1-4 204 and 1-4 RTV	EFP-DT	52442	20	FFP-DT	52432	20
Data, TV - White- Matches 1 Port PIF	EFP-D	52443*	20	FFP-D	52433*	20
Data, TV, Radio - Light Grey - Matches PIF 1-4 65, PIF 1-4 204FM	-	-	-	FFP-DTR-G	52434*	20
Data, TV, Radio - Antracite - Matches PIF 1-4 65, PIF 1-4 204FM	-	-	-	FFP-DTR-KG	52435*	20
Data, TV, Radio - Light Grey - Matches PIF 1-4 204, PIF 1-4 65DVU	-	-	-	FFP-DT-G	52437*	20
Data, TV, Radio - Antracite - Matches PIF 1-4 204, PIF 1-4 65DVU	-	-	-	FFP-DT-KG	52438*	20
Description Push-In-Outlet interface connectors	Euro & Freja Push in connectors					
	Type	Item no.	Quantity	Type	Item no.	Quantity
90 degree Female F to PIF connector	90FF	84040	100			
90 degree Female F to Mini cable - For interfacing mini cable directly to Push-In-Filter	90FCM	84041	100			
90 degree Female F 13 cm mini cable to PIF connector - Extension jumper for difficult cable mounts	90FF13	84043	20			
Straight quick mount F-connector - interface on incoming cable	F-56-CX3 7.0QM Short	84050	100			
Description Push-In-Outlet frame claws and elastics bands	Euro PIO accessories			Freja PIO accessories		
	Type	Item no.	Quantity	Type	Item no.	Quantity
Euro Frame Claws and screws for mount in cavity without screw towers	EFCs	52449	100	-	-	
PIO Elastics band	PEB	52448	100	PEB	52448	100
Installation tools	Type	Item no.	Quantity	Type	Item no.	Quantity
Cable stripper Push-In-Outlet installation 6/6mm stripping length - For outdoor cable	PCS-RG6/59-OD	91101	1			
Cable stripper Push-In-Outlet installation 6/6mm stripping length - For indoor cable	PCS-RG6/59-ID	91104	1			
Compression tool for 90FCM and F-56-CX3 7.0QM Short	PCT	91103	1			

Item numbers marked with * are special order products with MOQ