

WISI LR 47 x x8x0

HFC Fiber Node – 2x2x2

ELPAS

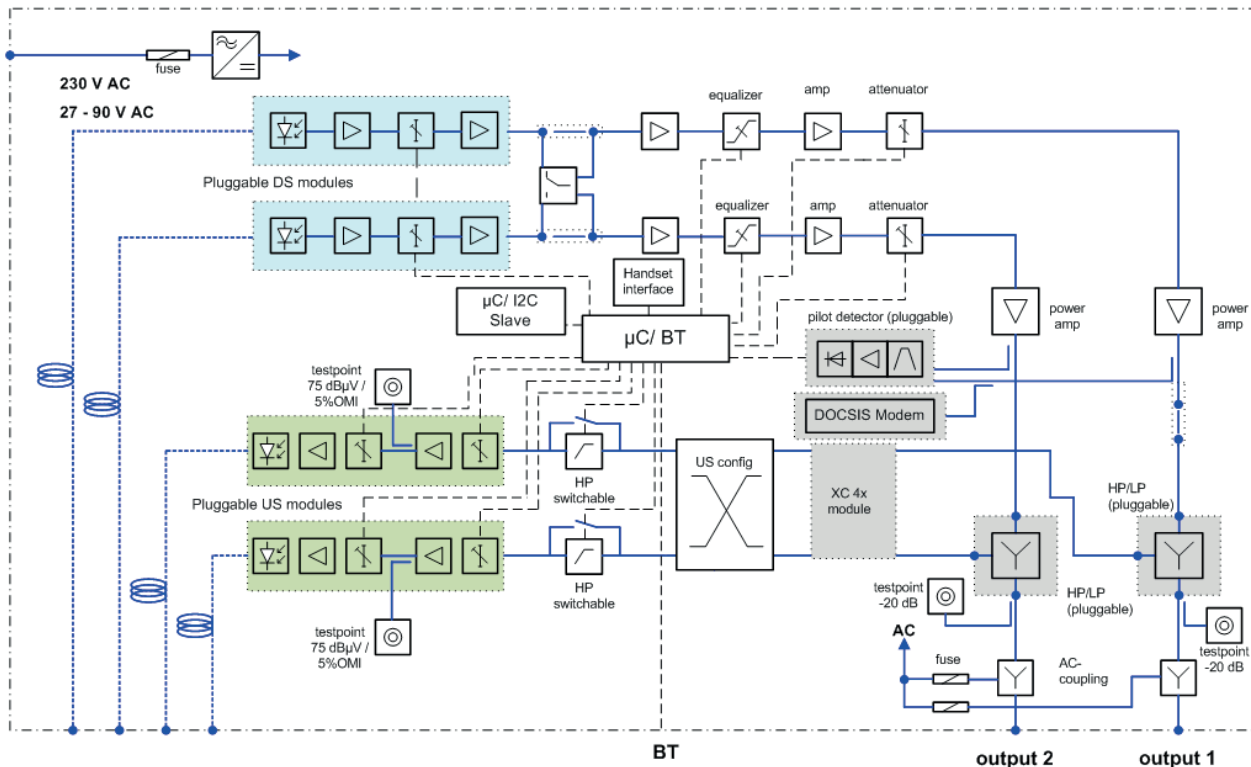


At a glance:

- Redundant Node with two active outputs
- Pluggable (2x) receiver and (2x) transmitter modules
- Local and remote feeding types
- All settings available locally manageable with a OH 41 handset from WISI, Android app via Bluetooth or via remote connected NMS with HMS or DOCSIS 2.0 transponder installed
- Diplex filters and splitter / tap modules pluggable
- Electronic upstream configuration redundancy/ clustering
- One ICS-switch for every input
- Automated level setting control (ALC) via optical input power or pilot controlled VX 58 B

Description

Optical node with integrated fibre management. Plugin modules for return path transmitter, diplex filter and splitter/taps. Local configuration with OH 41 handset or Android app via Bluetooth. Remote management via HMS or DOCSIS 2.0 transponder.



WISI Communications GmbH & Co. KG

Wilhelm-Sihn-Str. 5-7
75223 Niefern-Oeschelbronn, Germany

Phone: +49 7233 66-280, Fax: -350
E-Mail: export@wisi.de

Technical Modifications reserved. WISI cannot be held liable for any printing error. 30. November 2017, 11:50 vorm.

Technical data

Down-Stream / DS	
Wavelength	1290...1610 nm
Optical return loss	>40 dB
Fiber type	Single Mode 9/125 µm
Optical connector	E2000/APC, SC/APC, LC/APC
Output impedance	75 Ω
Output return loss	≥18 dB (-1dB/Octave, min. 14 dB)
Frequency range	47...1218 MHz (depending on diplexer)
Opt. input level for controlled	-6...+2 dBm
Electrical output level	
Output level range (distribution)	95...115 dBµV (OMI 4% per channel, 0,5 dB step)
Equalizer downstream	0...20 dB (0,5 dB steps)
Amplitude response (O-E)	≤ ±0,75 dB
Equivalent input noise	≤4,5 pA/√Hz
Test point	-20 dB
Signal quality per output	
Frequency range	47...1218 MHz
Output return loss	≥18 dB (-1,5 dB/Oct. min.14 dB)
Output level CENELEC 42 Ch. flat	115 dBµV (CSO/CTB = 60 dB)
Output level CENELEC 42 Ch. 10 dB slope	119 dBµV (CSO/CTB = 60 dB)
Output level all QAM (121 QAM-256 Ch.) flat	109 dBµV (BER <1 exp-9), (@ 2,4% OMI)
Output level all QAM (121 QAM-256 Ch.) 10 dB slope	112 dBµV (BER <1 exp-9), (@ 2,4% OMI)
Test point	-20 dB
Upstream (US)	
Wavelength	1270 nm, 1290 nm, 1310 nm, ..., 1610 nm
Optical output power	3 dBm
Frequency range	5(15)...204 MHz (65/ 85/ 117 MHz optional)
Input return loss	≥20 dB (-1,5 dB/Oct. min.16 dB)
RIN	< -145 dBHz-1
Nominal input level	75 dBµV
OMI setting range	3...10 % (@75 dBµV input, 0,5 % steps)
Frequency response	±0,5 dB
Ingress Control Switch (ICS)	0/6/ >45 dB
Test point	75 dBµV (OMI 5%)
General data	
HF-connections	PG 11
Supply voltage	180...265/27...65 V AC (local/remote feeding)
Remote power	<8 A
Ambient temperature	-20...+50 °C
Protection class	IP66
EMC	EN50083-2
Dimensions (width x height x depth)	288 x 125 x 302 mm
Power consumption	≤ 40 W

LR 47 x xxxx HFC node

